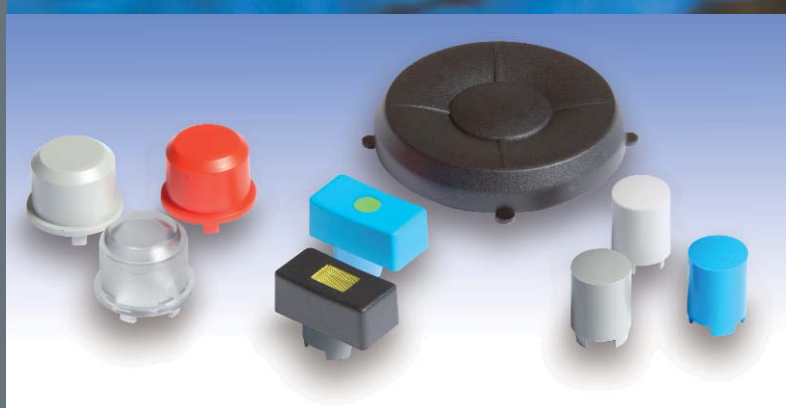


The Multimec 5E and 5G series is the new generation of the existing 3A, 3C, 3E, 3F, 4A and 4F multimec switches. The 5E and 5G series is a narrower product line, but the flexibility is more advanced. The switches will be supplied in high temperature material only to stand today's advanced soldering processes. The cap holding system is improved, by a superior snap system.

The 5E and 5G series can be supplied with LED's integrated in the switch and also as a surface mount switch. A high variety of aesthetic designed keycaps is available for the multimec switches both as solid caps, but also with excellent illumination possibilities.

The standard program will include three different actuation forces: 2, 3.5, and 6.5N. The multimec switches are known for their crisp audible tactile feel although a quiet version is available for sensitive applications such as audio, conference and military equipment.

The switch can be used as through-hole or SMD versions, and are designed to be used in a wide variety of applications.



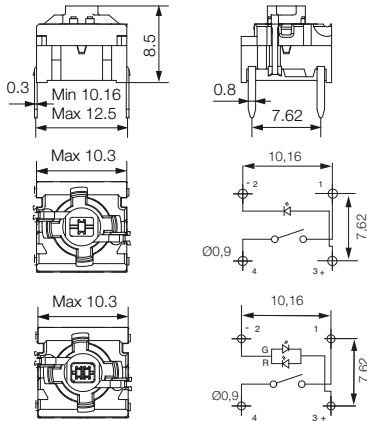
Distributor:



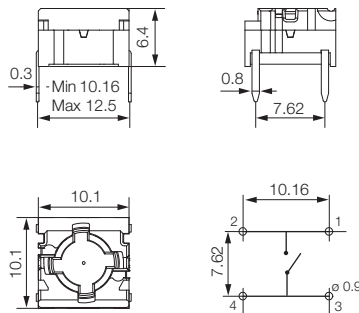
### Technical Data:

- through-hole or SMD / 50mA/24VDC / single pole/momentary
- 10.000.000 operations life time / IP67 sealing / actuation force: 2.0, 3.5, 6.5 N
- high temperature -40/+160° C

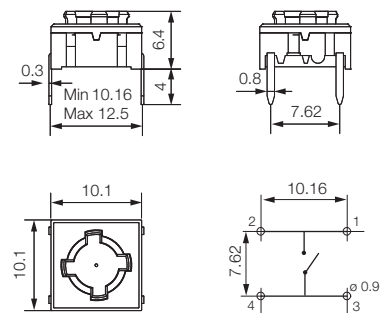
#### 5GTH9 (through-hole) 1+2 LED



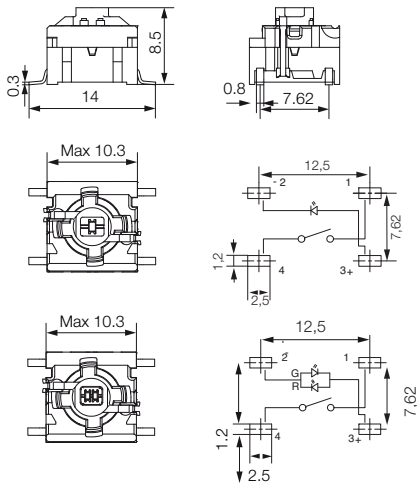
#### 5GTH9 (through-hole)



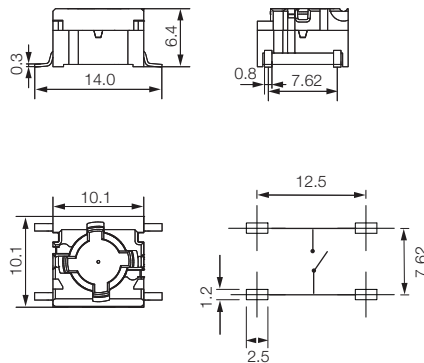
#### 5ETH9 (through-hole)



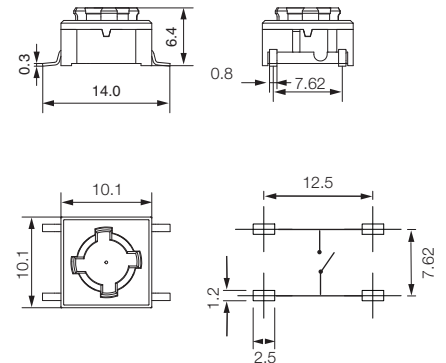
#### 5GSH9 (SMD) 1+2 LEDs



#### 5GSH9 (SMD)



#### 5ESH9 (SMD)



### HOW TO ORDER

<b>5 G</b>	<input type="checkbox"/>	<input type="checkbox"/>	<input type="checkbox"/>
<b>Switch</b>	<b>Mounting</b>	<b>Actuation force</b>	<b>LED</b>
	TH9 through-hole	20	01 blue / 22 green / 42 yellow / 61 white / 82 red / 2242 green/yellow / 8222 red/green / 8242 red/yellow
	SH9 surface mount	35	
		65	

<b>5 E</b>	<input type="checkbox"/>	<input type="checkbox"/>	<input type="checkbox"/>
<b>Switch</b>	<b>Mounting</b>	<b>Actuation force</b>	<b>Switch</b>
	TH9 through-hole	20	TH9 through-hole
	SH9 surface mount	35	SH9 surface mount
		65	65

Ordering example: 5GSH96535

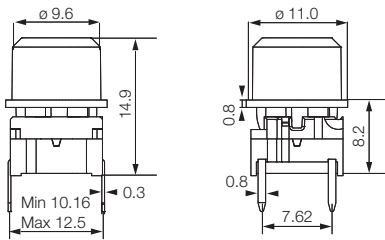
See colour codes on our website: [www.mec.dk](http://www.mec.dk)  
Dimensions (mm) Unless otherwise specified, all tolerances  $\pm 0.2$

### Technical Data

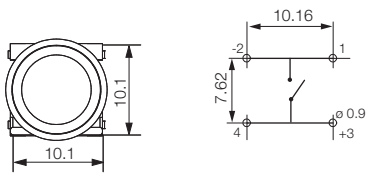
- through-hole or SMD
- 50mA/24VDC
- single pole/momentary
- 10.000.000 operations life time
- IP67 sealing
- temperature range:  
LED: -40/+85°C  
solid cap +65°C  
transparent +85°C
- actuation force: 2.0, 3.5, 6.5 N



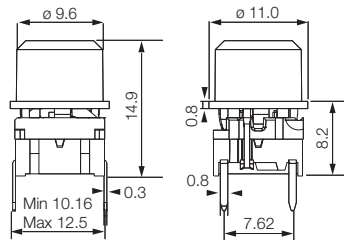
### Dimensions (through-hole)



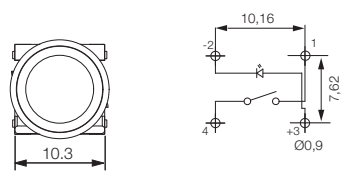
### PCB layout



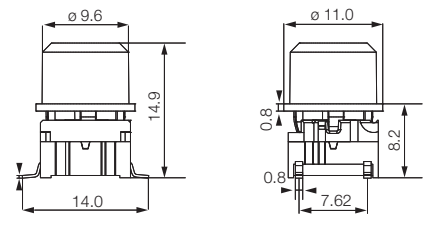
### Dimensions (w. LED)



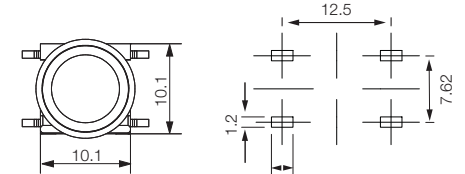
### PCB layout



### Dimensions (SMD)



### PCB layout



### HOW TO ORDER

<b>5 G</b>	<input type="checkbox"/>	<input type="checkbox"/>	<input type="checkbox"/>	<input type="checkbox"/>	<input type="checkbox"/>	<input type="checkbox"/>
<b>Switch</b>	<b>Mounting</b>	<b>Actuation force</b>	<b>LED</b>	<b>Cap</b>	<b>Colour code</b>	<b>Lens</b>
	<b>TH9</b> through-hole	<b>20</b>	<b>01</b> blue	<b>1ES</b> with lens	<b>00</b> blue	<b>1</b> transparent
	<b>SH9</b> surface mount	<b>35</b>	<b>22</b> green		<b>03</b> grey	<b>6</b> frosted white
		<b>65</b>	<b>42</b> yellow	<b>1FS</b> with lens	<b>08</b> red	
			<b>61</b> white		<b>09</b> black	
			<b>82</b> red			
			<b>2242</b> green/yellow			
			<b>8222</b> red/green			
			<b>8242</b> red/yellow			
				<b>1DS</b>		
					<b>11</b> transparent	
					<b>16</b> frosted white	

<b>5 G</b>	<input type="checkbox"/>	<input type="checkbox"/>	<input type="checkbox"/>	<input type="checkbox"/>	<input type="checkbox"/>
<b>Switch</b>	<b>Mounting</b>	<b>Actuation force</b>	<b>Cap</b>	<b>Colour code</b>	
	<b>TH9</b> through-hole	<b>20</b>	<b>1DS</b> solid colour	<b>00</b> blue	
	<b>SH9</b> surface mount	<b>35</b>		<b>02</b> green	
		<b>65</b>		<b>03</b> grey	
				<b>04</b> yellow	
				<b>06</b> white	
				<b>08</b> red	
				<b>09</b> black	

Dimensions (mm) Unless otherwise specified, all tolerances ±0,2

Ordering example: 5GTH935 + 1DS08

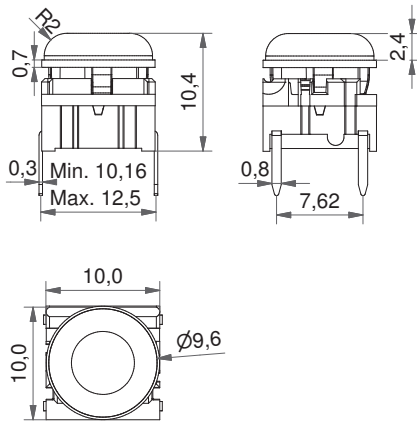
See colour codes on our website: [www.mec.dk](http://www.mec.dk)

### Technical Data:

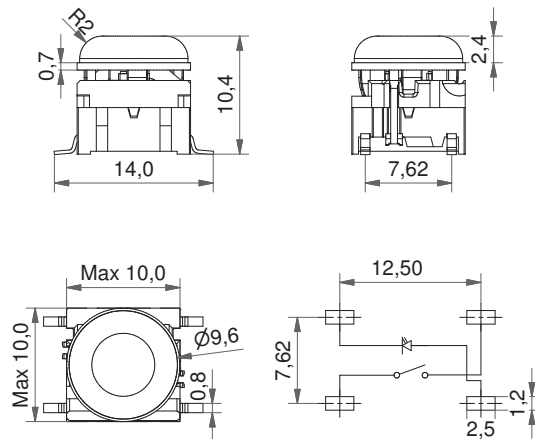
- through-hole or SMD
- 50mA/24VDC
- single pole/momentary
- 10.000.000 operations lifetime
- IP67 sealing
- temperature range:  
LED: -30/+85°C  
solid cap: +65°C  
transparent: +85°C
- actuation force: 2,0, 3,5, 6,5 N



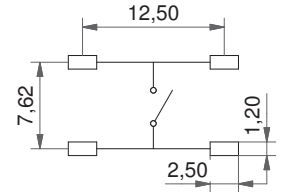
### Dimensions (through-hole)



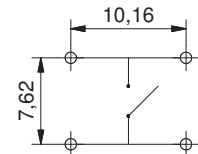
### Dimensions (SMD w/LED)



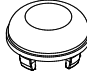
### PCB Layout SMD




### PCB Layout TH



### HOW TO ORDER

<b>5 G</b>	<input type="checkbox"/>	<input type="checkbox"/>	<input type="checkbox"/>	+	<b>1 J S</b>	<input type="checkbox"/>
<b>Switch</b>	<b>Mounting</b>	<b>Actuation force</b>	<b>LED</b>		<b>Cap</b>	<b>Colour code</b>
	TH9 through-hole SH9 surface mount	20 35 65	01 blue 22 green 42 yellow 61 white 82 red 2242 green/yellow 8222 red/green		1JS transparent 	11 transparent 16 frosted white

<b>5 G</b>	<input type="checkbox"/>	<input type="checkbox"/>	+	<b>1 J S</b>	<input type="checkbox"/>
<b>Switch</b>	<b>Mounting</b>	<b>Actuation force</b>		<b>Cap</b>	<b>Colour code</b>
	TH9 through-hole SH9 surface mount	20 35 65		1JS solid colour 	00 blue 02 green 03 grey 04 yellow 06 white 08 red 09 black

Dimensions (mm) Unless otherwise specified, all tolerances +/- 0,2

**Ordering example:** 5GTH935+1JS08 without illumination  
5GTH93501+1JS16 with illumination

See colour codes on our website: [www.mec.dk](http://www.mec.dk)

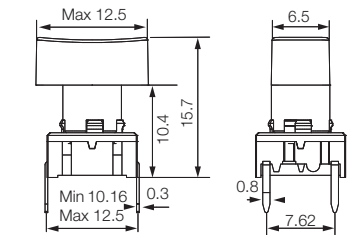
For product updates and/or changes of specifications please see [www.mec.dk](http://www.mec.dk)

### Technical Data

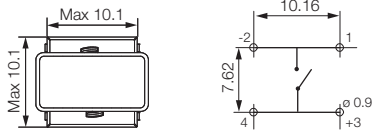
- through-hole or SMD
- 50mA/24VDC
- single pole/momentary
- 10.000.000 operations life time
- IP67 sealing
- temperature range:  
LED: -40/+85°C  
solid cap +65°C  
transparent +85°C
- actuation force: 2.0, 3.5, 6.5 N



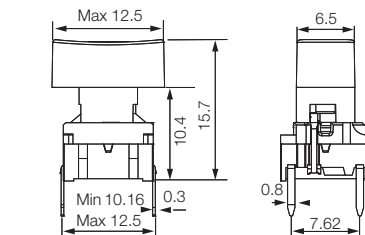
### Dimensions (through-hole)



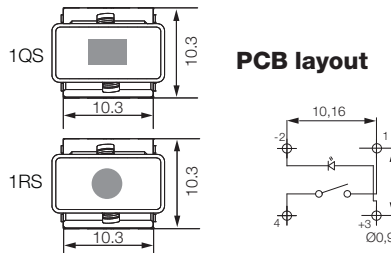
### PCB layout



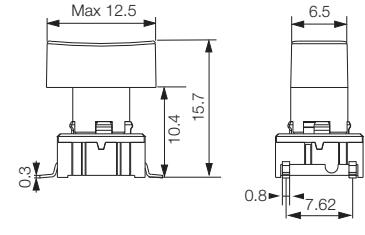
### Dimensions (w/LED)



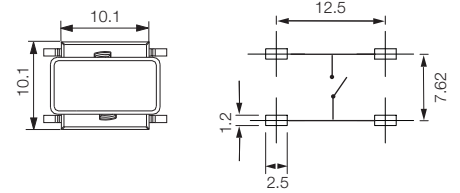
### PCB layout



### Dimensions (SMD)



### PCB layout



### HOW TO ORDER

<b>5 G</b>	<input type="checkbox"/>	<input type="checkbox"/>	<input type="checkbox"/>	<input type="checkbox"/>	<input type="checkbox"/>	<input type="checkbox"/>
<b>Switch</b>	<b>Mounting</b>	<b>Actuation force</b>	<b>LED</b>	<b>Cap</b>	<b>Colour code</b>	<b>Lens</b>
	<b>TH9</b> through-hole	<b>20</b>	<b>01</b> blue	<b>1QS</b> with lens	<b>00</b> blue	<b>1</b> transparent
	<b>SH9</b> surface mount	<b>35</b>	<b>22</b> green		<b>03</b> grey	<b>6</b> frosted white
		<b>65</b>	<b>42</b> yellow	<b>1RS</b> with lens	<b>08</b> red	
			<b>61</b> white		<b>09</b> black	
			<b>82</b> red	<b>1PS</b>		
			<b>2242</b> green/yellow		<b>11</b> transparent	
			<b>8222</b> red/green		<b>16</b> frosted white	
			<b>8242</b> red/yellow			

### Switch to be used: 5E or 5G

<b>5 E</b>	<input type="checkbox"/>	<input type="checkbox"/>	<input type="checkbox"/>	<input type="checkbox"/>
<b>5 G</b>	<b>Mounting</b>	<b>Actuation force</b>	<b>Cap</b>	<b>Colour code</b>
	<b>TH9</b> through-hole	<b>20</b>	<b>1PS</b> solid colour	<b>00</b> blue
	<b>SH9</b> surface mount	<b>35</b>		<b>02</b> green
		<b>65</b>		<b>03</b> grey
				<b>04</b> yellow
				<b>06</b> white
				<b>08</b> red
				<b>09</b> black

Dimensions (mm) Unless otherwise specified, all tolerances ±0,2

Ordering example: 5ETH935+1PS08

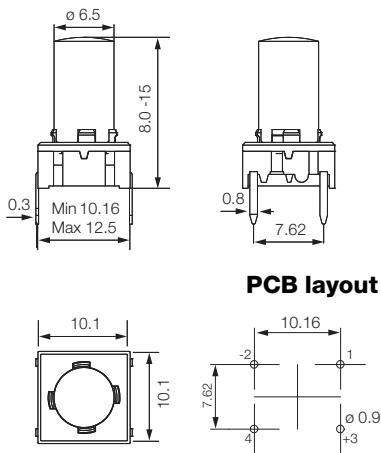
See colour codes on our website: [www.mec.dk](http://www.mec.dk)

### Technical Data

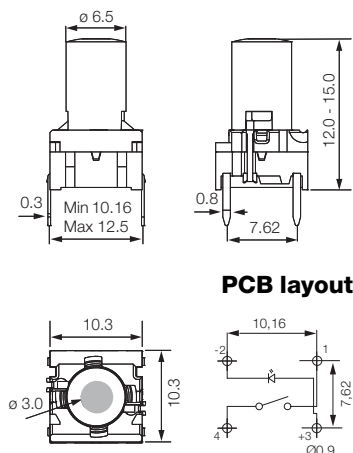
- through-hole or SMD
- 50mA/24VDC
- single pole/momentary
- 10.000.000 operations life time
- IP67 sealing
- temperature range:  
LED: -40/+85°C  
solid cap +65°C  
transparent +85°C
- actuation force: 2.0, 3.5, 6.5 N



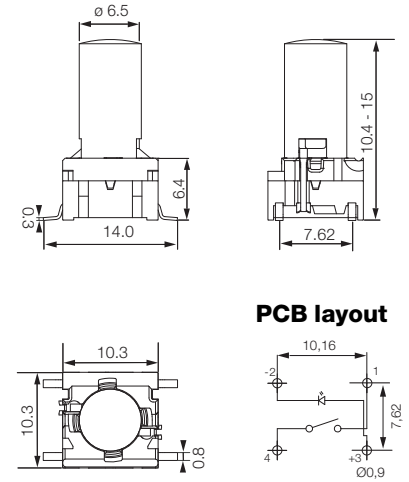
### Dimensions (through-hole) 1SS





### Dimensions (w. LED) 1LS




### Dimensions (SMD) 1IS



### HOW TO ORDER

<b>5 G</b>	<input type="checkbox"/>	<input type="checkbox"/>	<input type="checkbox"/>	<input type="checkbox"/>	<input type="checkbox"/>	<input type="checkbox"/>	<input type="checkbox"/>
<b>Switch</b>	<b>Mounting</b>	<b>Actuation force</b>	<b>LED</b>	<b>Cap</b>	<b>Colour code</b>	<b>Lens</b>	<b>Height/1IS</b>
	<b>TH9</b> through-hole	<b>20</b>	<b>01</b> blue	<b>1IS</b> transparent	<b>00</b> blue	<b>1</b> transparent	<b>10.4</b>
	<b>SH9</b> surface mount	<b>35</b>	<b>22</b> green		<b>03</b> grey	<b>6</b> frosted white	<b>11.0</b>
		<b>65</b>	<b>42</b> yellow	<b>1LS</b> with lens	<b>08</b> red	<b>2</b> green	<b>12.0</b>
			<b>61</b> white		<b>09</b> black	<b>4</b> yellow	<b>15.0</b>
			<b>82</b> red		<b>11</b> transparent	<b>8</b> red	<b>Height/1LS</b>
			<b>2242</b> green/yellow		<b>16</b> frosted white		<b>12.0</b>
			<b>8222</b> red/green				<b>15.0</b>

### Switch to be used: 5E or 5G

<b>5 E</b>	<input type="checkbox"/>	<input type="checkbox"/>	<input type="checkbox"/>	<input type="checkbox"/>	<input type="checkbox"/>
<b>5 G</b>	<b>Mounting</b>	<b>Actuation force</b>	<b>Cap</b>	<b>Colour code</b>	<b>Height</b>
	<b>TH9</b> through-hole	<b>20</b>	<b>1SS</b> solid colour	<b>00</b> blue	<b>08.0</b>
	<b>SH9</b> surface mount	<b>35</b>		<b>02</b> green	<b>09.5</b>
		<b>65</b>		<b>03</b> grey	<b>10.4</b>
				<b>04</b> yellow	<b>11.0</b>
				<b>06</b> white	<b>12.0</b>
				<b>08</b> red	<b>15.0</b>
				<b>09</b> black	
				<b>39</b> black (high temperature)	

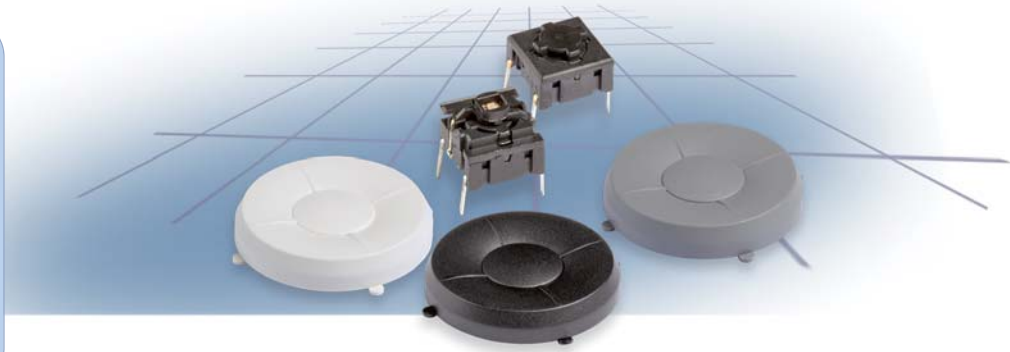
Dimensions (mm) Unless otherwise specified, all tolerances ±0,2

Ordering example: 5GTH93501+1LS03115.0

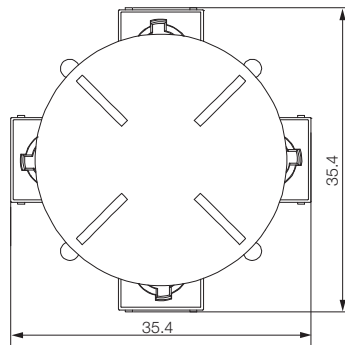
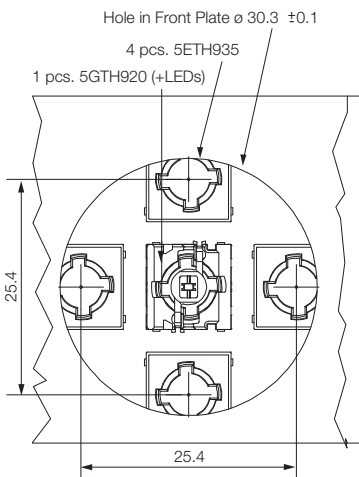
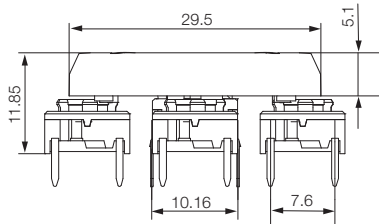
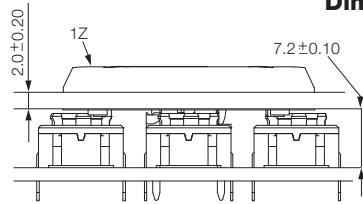
See colour codes on our website: [www.mec.dk](http://www.mec.dk)

### Technical Data

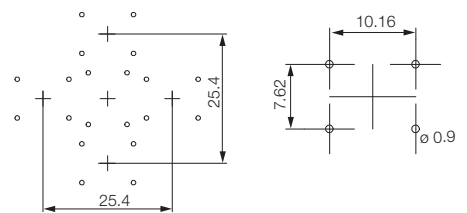
- through-hole or SMD
- 50mA/24VDC
- single pole/momentary
- 10.000.000 operations life time
- IP67 sealing
- temperature range:  
LED: -40/+85°C  
solid cap +65°C  
transparent +85°C
- actuation force: 2.0, 3.5, 6.5 N



### Dimensions 1Z



### Recommended PCB layout



### HOW TO ORDER

**5 G**

**Switch Mounting**  
**TH9** through-hole  
**SH9** surface mount

**Actuation force**  
**20**  
**35**  
**65**

**LED**  
**01** blue  
**22** green  
**42** yellow  
**61** white  
**82** red  
**2242** green/yellow  
**8222** red/green  
**8242** red/yellow

**Cap**  
**1Z**

**Colour code**  
**00** blue  
**02** green  
**03** grey  
**04** yellow  
**06** white  
**08** red  
**09** black  
**11** transparent  
**16** frosted white

**5 E**

**Switch Mounting**  
**TH9** through-hole  
**SH9** surface mount

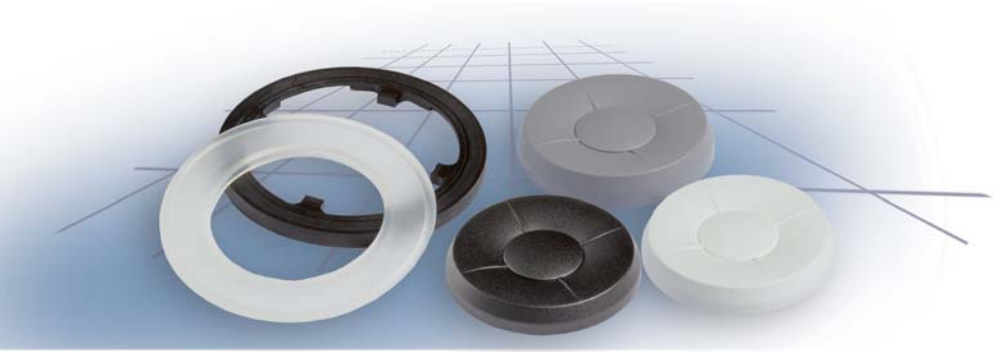
**Actuation force**  
**20**  
**35**  
**65**

See colour codes on our website: [www.mec.dk](http://www.mec.dk)  
 Dimensions (mm) Unless otherwise specified, all tolerances ±0,2

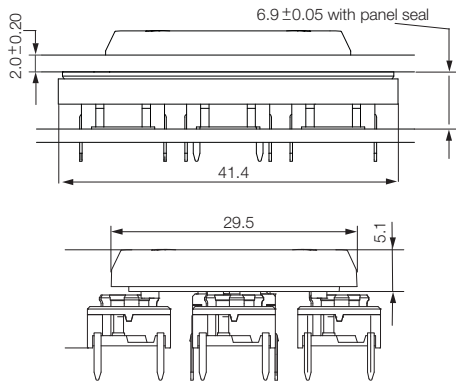
**Ordering example (unsealed version) 1Z:** 1 x 5GTH920 + 4 x 5ETH935 + 1Z03

### Technical Data

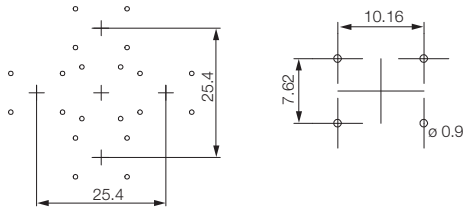
- through-hole or SMD
- 50mA/24VDC
- single pole/momentary
- 10.000.000 operations life time
- IP67 sealing
- temperature range:  
LED: -40/+85°C  
solid cap +65°C  
transparent +85°C
- actuation force: 2.0, 3.5, 6.5 N



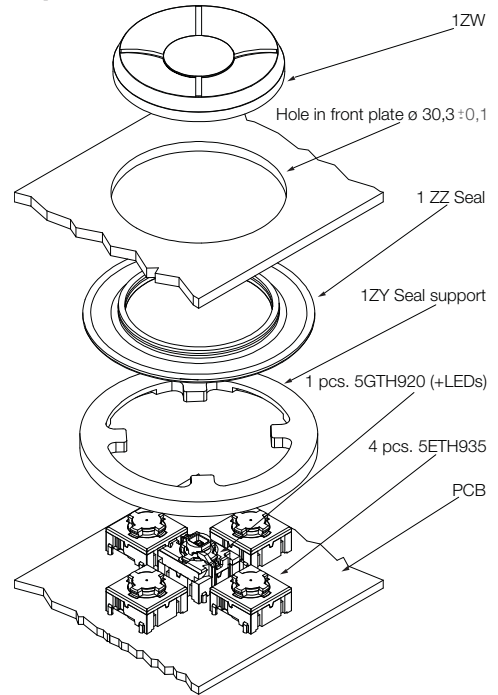
### Dimensions 1ZW



### Recommended PCB layout



### Mounting example



### HOW TO ORDER

<b>5 G</b>	<input type="checkbox"/>	<input type="checkbox"/>	<input type="checkbox"/>	<input type="checkbox"/>	<input type="checkbox"/>	<input type="checkbox"/>	<input type="checkbox"/>
<b>Switch</b>	<b>Mounting</b>	<b>Actuation force</b>	<b>LED</b>	<b>Cap for seal 1ZW</b>	<b>Colour code</b>	<b>Seal 1ZZ</b>	<b>Seal support 1ZY</b>
	TH9 through-hole	20	01 blue		00 blue		
	SH9 surface mount	35	22 green		02 green		
		65	42 yellow		03 grey		
			61 white		04 yellow		
			82 red		06 white		
			2242 green/yellow		08 red		
			8222 red/green		09 black		
			8242 red/yellow		11 transparent		
					16 frosted white		

<b>5 E</b>	<input type="checkbox"/>	<input type="checkbox"/>
<b>Switch</b>	<b>Mounting</b>	<b>Actuation force</b>
	TH9 through-hole	20
	SH9 surface mount	35
		65

See colour codes on our website: [www.mec.dk](http://www.mec.dk)  
Dimensions (mm) Unless otherwise specified, all tolerances ±0,2

**Ordering example (sealed version) 1ZW:** 1 x 5GTH920 + 4 x 5ETH935 + 1ZW03 + 1ZZ + 1ZY