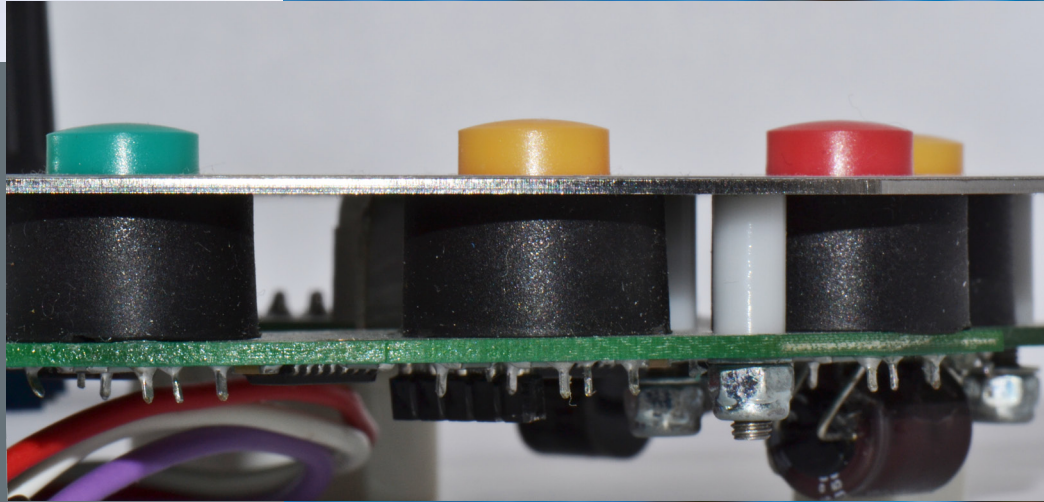


Panel sealed 1TS/1US/1VS



The sealings 1TW/1UW/1VW provide an opportunity of having the 1TS/1US/1VS caps with panel sealing.

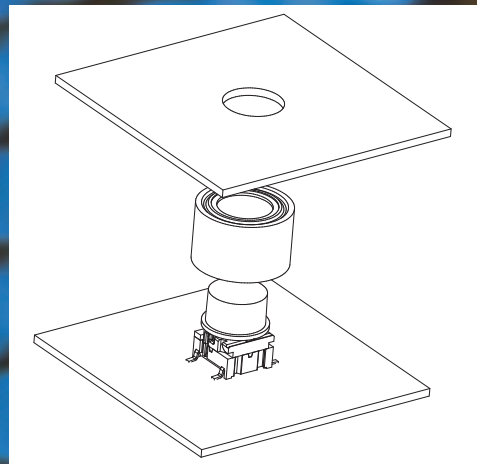
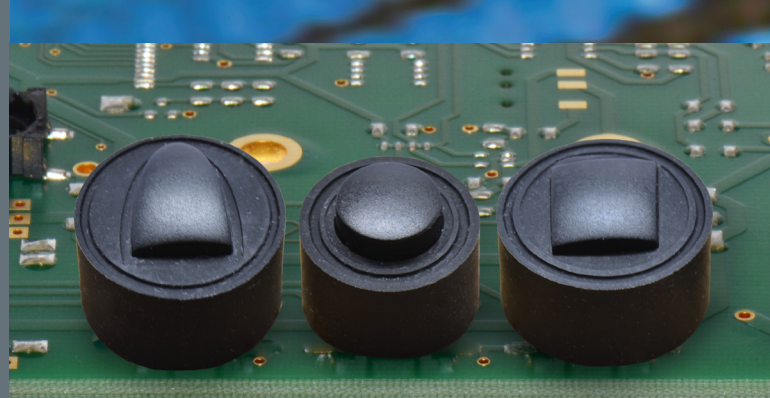
Level of sealing from front panel:

5G+1TS+1TW = IP67

5G+1US+1UW = IP67

5G+1VS+1VW = IP65

The solution is excellent for rough environment, designed for outdoor, dusty and humid applications.



Distributor:

Technical Data:

- through-hole or surface mount
- 50mA/24VDC
- single pole/momentary
- 10.000.000 operations lifetime
- Switch: IP67 sealing
- temp. range: switch: -40/+160°C
LED: -30/+85°C
solid keycap: -40/+65°C
transparent keycap: -40/+85°C
- actuation force: 2.0, 3.5, 6.5 N



Dimensions (TH) 1TS+1TW	Dimensions (TH w/LED) 1US+1UW	Dimensions (SMD w/LED) 1VS+1VW	Recommended panel cut-out
<p>PCB layout</p>	<p>PCB layout</p>	<p>PCB layout</p>	<p>Recommended panel cut-out</p> <p>1TS - 11x11mm 1US - Ø11mm 1VS</p> <p>Distance between PCB and front panel</p>

HOW TO ORDER illuminated

5 G				+			+	
Switch	Mounting TH9 through-hole SH9 surface mount	Actuation force 20 35 65 Q*	LED 01 blue 22 green 42 yellow 61 white 82 red 2242 green/yellow 8222 red/green 8242 red/yellow		Cap 1TS 1US 1VS	Colour code 16 frosted white		Sealing 1TW 1UW 1VW

HOW TO ORDER non-illuminated

5 G			+			+	
Switch	Mounting TH9 through-hole SH9 surface mount	Actuation force 20 35 65 Q*		Cap 1TS 1US 1VS	Colour code 00 blue 03 grey 08 red 09 black		Sealing 1TW 1UW 1VW

*Only available for actuation force 2.0N (20) and the letter Q is added to the end of the switch part number. See the ordering example.

Dimensions (mm) Unless otherwise specified, all tolerances +/- 0,2

Ordering example: 5GSH935 + 1TS03 + 1TW without illumination
5GTH96542 + 1US16 + 1UW with illumination
*5GSH920Q or 5GTH92082Q (quiet version)

See colour codes on our website: www.mec.dk

For updates of products and/or changes of specifications please see www.mec.dk